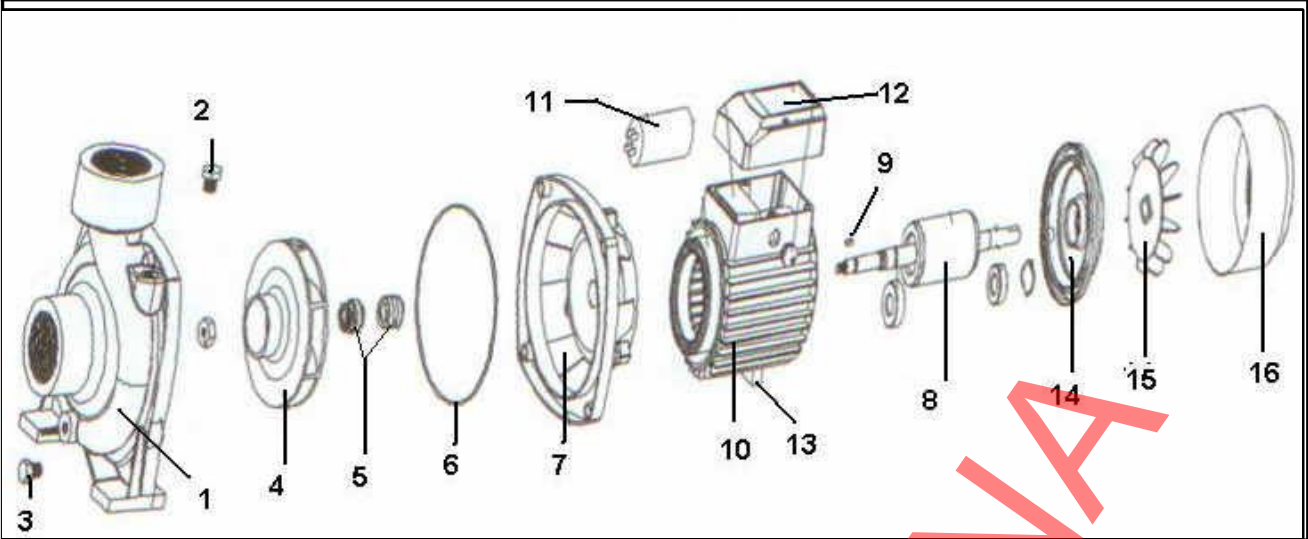


GS1,5-100, GS2-200, GS(T)2-300, GS3-300, GST3-400, GST4-400 POMPA YEDEK PARÇA LİSTESİ



RESİM	POMPA MODELİ	YEDEK PARÇA ADI	
1	GS1,5-100	ÖN GÖVDE	PUMP FRONT BODY
1	GS2-200	ÖN GÖVDE	PUMP FRONT BODY
1	GS(M-T)2-300	ÖN GÖVDE	PUMP FRONT BODY
1	GS3,300-GST3,400	ÖN GÖVDE	PUMP FRONT BODY
1	GST4-400	ÖN GÖVDE	PUMP FRONT BODY
2	GS1,5-100	VİDA	SCREW (AIR TAKEING)
2	GS2-200	VİDA	SCREW (AIR TAKEING)
2	GS(M-T)2 300-3 300-3 400-4 400	VİDA	SCREW (WATER DRAINING-AIR TAKEING)
3	GS1,5-100	VİDA	SCREW (WATER DRAINING)
3	GS2-200	VİDA	SCREW (WATER DRAINING)
3	GS(M-T)2 300-3 300-3 400-4 400	VİDA	SCREW (WATER DRAINING-AIR TAKEING)
4	GS1,5-100	SU PERVANESİ	IMPELLER
4	GS2-200	SU PERVANESİ	IMPELLER
4	GS(M-T)2-300	SU PERVANESİ	IMPELLER
4	GS3-300	SU PERVANESİ	IMPELLER
4	GST3-400	SU PERVANESİ	IMPELLER
4	GST4-400	SU PERVANESİ	IMPELLER
5	GS1,5-100	MEKANİK SALMASTRA	MECHANICAL SEAL
5	GS2-200	MEKANİK SALMASTRA	MECHANICAL SEAL
5	GS(M-T)2-300	MEKANİK SALMASTRA	MECHANICAL SEAL
5	GS3,300-GST3,400	MEKANİK SALMASTRA	MECHANICAL SEAL
5	GST4-400	MEKANİK SALMASTRA	MECHANICAL SEAL
6	GS1,5-100	O RİNG	O RING
6	GS2-200	O RİNG	O RING
6	GS(M-T)2-300	O RİNG	O RING
6	GS3,300-GST3,400-GST4,400	O RİNG	O RING
7	GS1,5-100	ARKA GÖVDE	ABOVE COVER
7	GS2-200	ARKA GÖVDE	ABOVE COVER
7	GS(M-T)2-300	ARKA GÖVDE	ABOVE COVER
7	GS3-300	ARKA GÖVDE	ABOVE COVER
7	GST3-400	ARKA GÖVDE	ABOVE COVER
7	GST4-400	ARKA GÖVDE	ABOVE COVER
8	GS1,5-100	ROTOR + ŞAFT	ROTOR (WITH WELDING S/S SHAFT)
8	GS2-200	ROTOR + ŞAFT	ROTOR (WITH WELDING S/S SHAFT)
8	GS2-300	ROTOR + ŞAFT	ROTOR (WITH WELDING S/S SHAFT)

RESİM	POMPA MODELİ	YEDEK PARÇA ADI	
8	GS3-300	ROTOR + ŞAFT	ROTOR (WITH WELDING S/S SHAFT)
8	GS ^T 3-400	ROTOR + ŞAFT	ROTOR (WITH WELDING S/S SHAFT)
8	GS ^T 4-400	ROTOR + ŞAFT	ROTOR (WITH WELDING S/S SHAFT)
9	GS1,5-100	KAMA	KEY
9	GS2,200-(^T)300-GS3,300-GS ^T 3,400-GS ^T 4,400	KAMA	KEY
10	GS1,5-100	MOTOR GÖVDESİ (STATOR)	STATOR (WITH MOTOR BODY)
10	GS2-200	MOTOR GÖVDESİ (STATOR)	STATOR (WITH MOTOR BODY)
10	GS2-300	MOTOR GÖVDESİ (STATOR)	STATOR (WITH MOTOR BODY)
10	GS ^T 2-300	MOTOR GÖVDESİ (STATOR)	STATOR (WITH MOTOR BODY)
10	GS3-300	MOTOR GÖVDESİ (STATOR)	STATOR (WITH MOTOR BODY)
10	GS ^T 3-400	MOTOR GÖVDESİ (STATOR)	STATOR (WITH MOTOR BODY)
10	GS ^T 4-400	MOTOR GÖVDESİ (STATOR)	STATOR (WITH MOTOR BODY)
11	GS1,5-100	KONDANSATÖR	CAPASİTÖR
11	GS2-200	KONDANSATÖR	CAPASİTÖR
11	GS2,300-3,300	KONDANSATÖR	CAPASİTÖR
12	GS1,5-100	ELEKTRİK KUTUSU	ELECT.(Terminal)BOX
12	GS2,200-300-3,300	ELEKTRİK KUTUSU	ELECT.(Terminal)BOX
12	GS ^T 2,300-GS ^T 3,400-GS ^T 4,400	ELEKTRİK KUTUSU	ELECT.(Terminal)BOX(Three phase)
13	GS(M- ^T)2,300-GS3,300-GS ^T 3,400-GS ^T 4,400	AYAK	MOTOR BODY BACK FOOT
14	GS1,5-100	ARKA KAPAK	MOTOR BACK COVER
14	GS2-200	ARKA KAPAK	MOTOR BACK COVER
14	GS(M- ^T)2-300	ARKA KAPAK	MOTOR BACK COVER
14	GS3-300	ARKA KAPAK	MOTOR BACK COVER
14	GS ^T 3-400	ARKA KAPAK	MOTOR BACK COVER
14	GS ^T 4-400	ARKA KAPAK	MOTOR BACK COVER
15	GS1,5-100	HAVA FANI	AIR FAN
15	GS2-200	HAVA FANI	AIR FAN
15	GS(M- ^T)2,300-3,300-GS ^T 3,400-GS ^T 4,400	HAVA FANI	AIR FAN
16	GS1,5-100	HAVA FAN KAPAĞI	AIR FAN COVER
16	GS2-200	HAVA FAN KAPAĞI	AIR FAN COVER
16	GS(M- ^T)2-300	HAVA FAN KAPAĞI	AIR FAN COVER
16	GS3-300	HAVA FAN KAPAĞI	AIR FAN COVER
16	GS ^T 3,400-GS ^T 4,400	HAVA FAN KAPAĞI	AIR FAN COVER