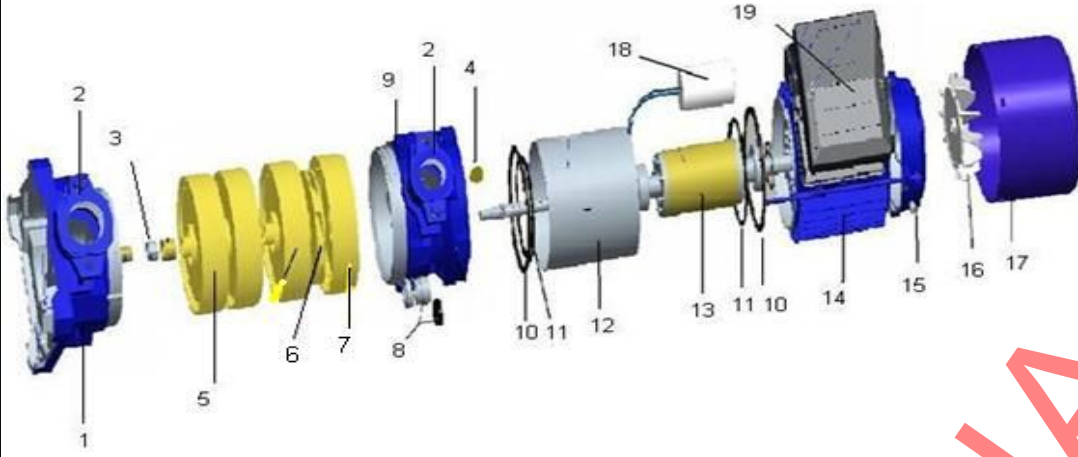


K SERİSİ KADEMELİ POMPA YEDEK PARÇA LİSTESİ



RESİM	POMPA MODELİ - 3 TON SERİSİ	YEDEK PARÇA ADI	
1	3 K	ÖN GÖVDE	PUMP FRONT BODY(with brass channel)
2	3 K	FLANŞ	FLANGE (INLET 1"- OUTLET 1")
3	3 K	SOMUN	NUT
4	3 K	VİDA	SCREW (AIR TAKEING)
5	3 K	DİFİZÖR	DIFFISOR
6	3 K	SU PERVANESİ	IMPELLER
7	3 K	DİFİZÖR	DIFFISOR (OUTLET)
8	3 K	MEKANİK SALMASTRA	MECHANICAL SEAL
9	3K	ARKA GÖVDE	ABOVE COVER
10	3 K	O RİNG	O RING (OUT SIDE)
11	3 K	O RİNG	O RING (IN SIDE)
12	3 K	POMPA KILIFI	PUMP COVER
13	3 K	ROTOR + ŞAFT	ROTOR (WITH WELDING S/S SHAFT)
14	3 K	MOTOR GÖVDESİ (STATOR)	STATOR (WITH MOTOR BODY)
15	3 K	ARKA KAPAK	MOTOR BACK COVER
16	3 K	HAVA FANI	AIR FAN
17	3 K	HAVA FAN KAPAĞI	AIR FAN COVER
18	3 K	KONDANSATÖR	CAPASITOR
19	3 K	ELEKTRİK KUTUSU	ELECT.(Terminal)BOX
RESİM	POMPA MODELİ - 6 TON SERİSİ	YEDEK PARÇA ADI	
1	6 K (150 - 200 - 225)	ÖN GÖVDE	PUMP FRONT BODY(with brass channel)
2	6 K (150 - 200 - 225)	FLANŞ	FLANGE (INLET 1 1/4")
2	6 K (150 - 200 - 225)	FLANŞ	FLANGE (OUTLET 1")
3	6 K (150 - 200 - 225)	SOMUN	NUT
4	6 K (150 - 200 - 225)	VİDA	SCREW (AIR TAKEING)
5	6 K (150 - 200 - 225)	DİFİZÖR	DIFFISOR
6	6 K (150 - 200 - 225)	SU PERVANESİ	IMPELLER
7	6 K (150 - 200 - 225)	DİFİZÖR	DIFFISOR (OUTLET)
8	6 K (150 - 200 - 225)	MEKANİK SALMASTRA	MECHANICAL SEAL
9	6K (150 - 200 - 225)	ARKA GÖVDE	ABOVE COVER
10	6 K (150 - 200 - 225)	O RİNG	O RING (OUT SIDE)
11	6 K (150 - 200 - 225)	O RİNG	O RING (IN SIDE)
12	6 K6 150	POMPA KILIFI	PUMP COVER

12	6 K8 200	POMPA KILIFI	PUMP COVER
12	6 K9 225	POMPA KILIFI	PUMP COVER
13	6 K6 150	ROTOR + ŞAFT	ROTOR (WITH WELDING S/S SHAFT)
13	6 K8 200	ROTOR + ŞAFT	ROTOR (WITH WELDING S/S SHAFT)
13	6 K9 225	ROTOR + ŞAFT	ROTOR (WITH WELDING S/S SHAFT)
14	6 K6 150	MOTOR GÖVDESİ (STATOR)	STATOR (WITH MOTOR BODY)
14	6 K8 200	MOTOR GÖVDESİ (STATOR)	STATOR (WITH MOTOR BODY)
14	6 K9 225	MOTOR GÖVDESİ (STATOR)	STATOR (WITH MOTOR BODY)
14	6 K9 225	MOTOR GÖVDESİ (STATOR)	STATOR (WITH MOTOR BODY) (Three phase)
15	6 K6 150	ARKA KAPAK	MOTOR BACK COVER
15	6 K8 200	ARKA KAPAK	MOTOR BACK COVER
15	6 K9 225	ARKA KAPAK	MOTOR BACK COVER
16	6 K6 150	HAVA FANI	AIR FAN
16	6 K8 200	HAVA FANI	AIR FAN
16	6 K9 225	HAVA FANI	AIR FAN
17	6 K6 150	HAVA FAN KAPAĞI	AIR FAN COVER
17	6 K8 200	HAVA FANI	AIR FAN
17	6 K9 225	HAVA FANI	AIR FAN
18	6 K6 150	KONDANSATÖR	CAPASITOR
18	6 K8 200	KONDANSATÖR	CAPASITOR
18	6 K9 225	KONDANSATÖR	CAPASITOR
19	6 K (150 - 200 - 225)	ELEKTRİK KUTUSU	ELECT.(Terminal)BOX
19	6 KT (150 - 200 - 225)	ELEKTRİK KUTUSU	ELECT.(Terminal)BOX(Three phase)
RESİM	POMPA MODELİ - 9 TON SERİSİ	YEDEK PARÇA ADI	
1	9K(300-350)	ÖN GÖVDE	PUMP FRONT BODY(with brass channel)
2	9K(300-350)	FLANŞ	FLANGE (INLET 1 1/2")
2	9K(300-350)	FLANŞ	FLANGE (OUTLET 1 1/4")
3	9K(300-350)	SOMUN	NUT
4	9K(300-350)	VİDA	SCREW (AIR TAKEING)
5	9K(300-350)	DİFİZÖR	DIFFISOR
6	9K(300-350)	SU PERVANESİ	IMPELLER
7	9K(300-350)	DİFİZÖR	DIFFISOR (OUTLET)
8	9K(300-350)	MEKANİK SALMASTRA	MECHANICAL SEAL
9	9K (300-350)	ARKA GÖVDE	ABOVE COVER
10	9K(300-350)	O RİNG	O RING (OUT SIDE)
11	9K(300-350)	O RİNG	O RING (IN SIDE)
12	9K(300)	POMPA KILIFI	PUMP COVER
12	9K(350)	POMPA KILIFI	PUMP COVER
13	9K(300)	ROTOR + ŞAFT	ROTOR (WITH WELDING S/S SHAFT)
13	9K(350)	ROTOR + ŞAFT	ROTOR (WITH WELDING S/S SHAFT)
14	9K(300)	MOTOR GÖVDESİ (STATOR)	STATOR (WITH MOTOR BODY)
14	9K(300)	MOTOR GÖVDESİ (STATOR)	STATOR (WITH MOTOR BODY) (Three phase)
14	9K(350)	MOTOR GÖVDESİ (STATOR)	STATOR (WITH MOTOR BODY) (Three phase)
15	9K(300-350)	ARKA KAPAK	MOTOR BACK COVER
16	9K(300-350)	HAVA FANI	AIR FAN
17	9K(300-350)	HAVA FAN KAPAĞI	AIR FAN COVER
18	9K(300)	KONDANSATÖR	CAPASITOR
19	9K(300)	ELEKTRİK KUTUSU	ELECT.(Terminal)BOX
19	9KT(350)	ELEKTRİK KUTUSU	ELECT.(Terminal)BOX(Three phase)