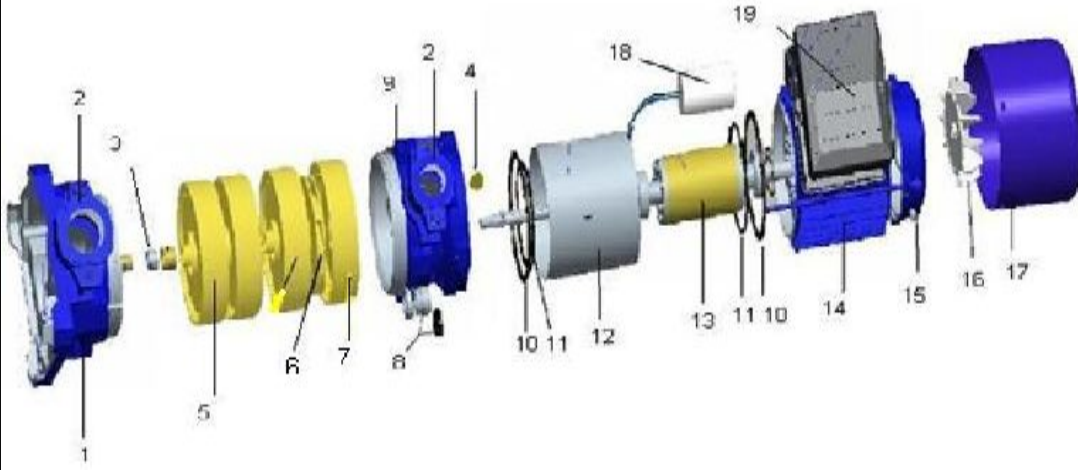


## KY - KD KADEMELİ POMPA YEDEK PARÇA LİSTESİ



RESİM	POMPA MODELİ	YEDEK PARÇA ADI	
1	KY	ÖN GÖVDE	PUMP FRONT BODY(with brass channel)
1	KD	ÖN GÖVDE	PUMP FRONT BODY(with brass channel)
2	KD	FLANŞ	FLANGE (INLET 1 1/4")
2	KD	FLANŞ	FLANGE (OUTLET 1")
3		SOMUN	NUT
4	KY	VİDA	SCREW (AIR TAKEING)
4	KY	VİDA	SCREW (WATER DRAINING)
4	KD	VİDA	SCREW (WATER DRAINING-AIR TAKEING)
5	KY - KD	DİFİZÖR	DIFFISOR
6	KY - KD	SU PERVANESİ	IMPELLER
6	KY - KD	SU PERVANESİ	IMPELLER
7	KY - KD	DİFİZÖR	DIFFISOR (OUTLET)
8	KY - KD	MEKANİK SALMASTRA	MECHANICAL SEAL
9	KY	ARKA GÖVDE	ABOVE COVER
9	KD	ARKA GÖVDE	ABOVE COVER
10	KY - KD	O RİNG	O RING
11	KY - KD	O RİNG	O RING
12	KY - KD 200	POMPA KILIFI	PUMP COVER
12	KY - KD 250	POMPA KILIFI	PUMP COVER
12	KY - KD 300	POMPA KILIFI	PUMP COVER
13	KY - KD 200	RÖTOR + ŞAFT	ROTOR (WITH WELDING S/S SHAFT)
13	KY - KD 250	RÖTOR + ŞAFT	ROTOR (WITH WELDING S/S SHAFT)
13	KY - KD 300	RÖTOR + ŞAFT	ROTOR (WITH WELDING S/S SHAFT)
14	KY - KD 200	MOTOR GÖVDESİ (STATOR)	STATOR (WITH MOTOR BODY)
14	KY - KD 250	MOTOR GÖVDESİ (STATOR)	STATOR (WITH MOTOR BODY)
14	KY - KD 300	MOTOR GÖVDESİ (STATOR)	STATOR (WITH MOTOR BODY)
14	KYT -KDT	MOTOR GÖVDESİ (STATOR)	STATOR (WITH MOTOR BODY)
15	KY - KD	ARKA KAPAK	MOTOR BACK COVER
16	KY - KD	HAVA FANI	AIR FAN
17	KY - KD	HAVA FAN KAPAĞI	AIR FAN COVER
18	KY - KD 200	KONDANSATÖR	CAPASITOR
18	KY - KD 250	KONDANSATÖR	CAPASITOR
18	KY - KD 300	KONDANSATÖR	CAPASITOR
19	KY - KD	ELEKTRİK KUTUSU	ELECT.(Terminal)BOX
19	KYT -KDT	ELEKTRİK KUTUSU	ELECT.(Terminal)BOX(Three phase)