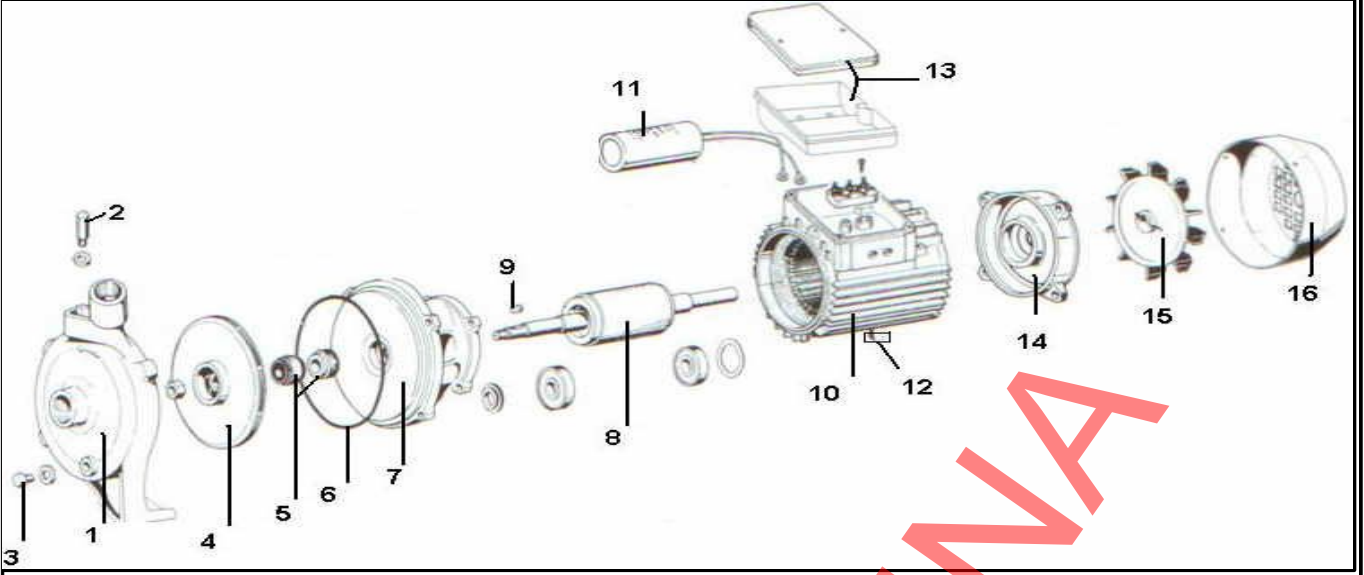


S (M-T) 100 , 150 , (M-T) 200 POMPA YEDEK PARÇA LİSTESİ



RESİM	POMPA MODELİ	YEDEK PARÇA ADI	
1	S(M-T)100	ÖN GÖVDE	PUMP FRONT BODY
1	SM 150	ÖN GÖVDE	PUMP FRONT BODY
1	S(M-T)200	ÖN GÖVDE	PUMP FRONT BODY
2	S(M-T)100,150,200	VİDA	SCREW (WATER DRAINING-AIR TAKEING)
3	S(M-T)100,150,200	VİDA	SCREW (WATER DRAINING-AIR TAKEING)
4	S(M-T)100	SU PERVANESİ	IMPELLER
4	SM 150A-B	SU PERVANESİ	IMPELLER
4	S(M-T)200A-B	SU PERVANESİ	IMPELLER
5	S(M-T)100	MEKANİK SALMASTRA	MECHANICAL SEAL
5	S(M-T)150-153-200-203	MEKANİK SALMASTRA	MECHANICAL SEAL
6	S(M-T)100	O RİNG	O RING
6	SM 150	O RİNG	O RING
6	S(M-T)200	O RİNG	O RING
7	S(M-T)100	ARKA GÖVDE	ABOVE COVER
7	SM 150	ARKA GÖVDE	ABOVE COVER
7	S(M-T)200	ARKA GÖVDE	ABOVE COVER
8	S(M-T)100	ROTOR + ŞAFT	ROTOR (WITH WELDING S/S SHAFT)
8	SM 150	ROTOR + ŞAFT	ROTOR (WITH WELDING S/S SHAFT)
8	S(M-T)200	ROTOR + ŞAFT	ROTOR (WITH WELDING S/S SHAFT)
9	S(M-T)100-SM150-S(M-T)200	KAMA	KEY
10	SM 100	MOTOR GÖVDESİ (STATOR)	STATOR (WITH MOTOR BODY)
10	ST 100	MOTOR GÖVDESİ (STATOR)	STATOR (WITH MOTOR BODY) (Three phase)
10	SM 150	MOTOR GÖVDESİ (STATOR)	STATOR (WITH MOTOR BODY)
10	SM 200	MOTOR GÖVDESİ (STATOR)	STATOR (WITH MOTOR BODY)
10	ST 200	MOTOR GÖVDESİ (STATOR)	STATOR (WITH MOTOR BODY)
11	SM 100	KONDANSATÖR	CAPASITOR
11	SM 150	KONDANSATÖR	CAPASITOR
11	SM 200	KONDANSATÖR	CAPASITOR
12	SM 100	AYAK	MOTOR BODY BACK FOOT
12	SM 150 - SM 200	AYAK	MOTOR BODY BACK FOOT
13	SM 100	ELEKTRİK KUTUSU	ELECT.(Terminal)BOX

RESİM	POMPA MODELİ	YEDEK PARÇA ADI	
13	ST 100	ELEKTRİK KUTUSU	ELECT.(Terminal)BOX(Three phase)
13	SM 150 - SM 200	ELEKTRİK KUTUSU	ELECT.(Terminal)BOX
13	ST 200	ELEKTRİK KUTUSU	ELECT.(Terminal)BOX(Three phase)
14	S(M-T)100	ARKA KAPAK	MOTOR BACK COVER
14	SM 150	ARKA KAPAK	MOTOR BACK COVER
14	SM 200	ARKA KAPAK	MOTOR BACK COVER
15	SM 100	HAVA FANI	AIR FAN
15	SM 150	HAVA FANI	AIR FAN
15	S(M-T)200	HAVA FANI	AIR FAN
16	S(M-T)100	HAVA FAN KAPAĞI	AIR FAN COVER
16	SM 150	HAVA FAN KAPAĞI	AIR FAN COVER
16	S(M-T)200	HAVA FAN KAPAĞI	AIR FAN COVER

KOLAY MAKİNA